



- **Advanced Digital Signal Processing**
- **Designed for full-duplex, half duplex, or simplex operation**
- **Compact desk-top package**
- **Built-in speaker with volume control to monitor call progress**

The Barrett 2061 HF phone patch provides an interface between an HF network and the International telephone network, allowing HF stations to be connected to telephone subscribers and vice versa.

The Barrett 2061 uses a unique adaptive hybrid to convert the four-wire audio from the transceiver to two-wire audio for the phone line. An adaptable hybrid, implemented with digital signal processing (DSP), provides continually recalculated isolation between the off air HF signal and the telephone user, producing a reliable VOX signal (Voice Operated Xmit (transmit)) to key the transmitter when the telephone subscriber's voice is present.

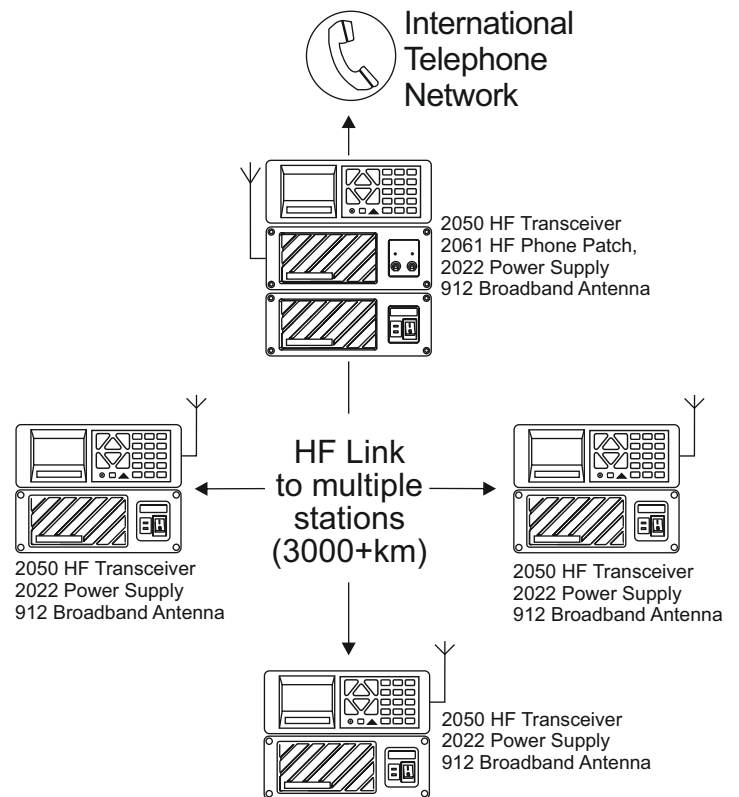
DSP based automatic adaptive hybrid that balances the telephone line continually with no adjustments, eliminating oscillation in full duplex circuits, false VOX tripping and time consuming setup.

The 2061 is packaged in a 2000 series enclosure and is designed for direct interface via our standard bus cable to the Barrett 2050 transceiver. It can however, be interfaced to other suitable HF transceivers.



Barrett 2061 HF Phone patch rear panel

Network example



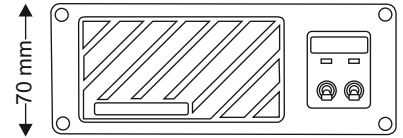


General specifications

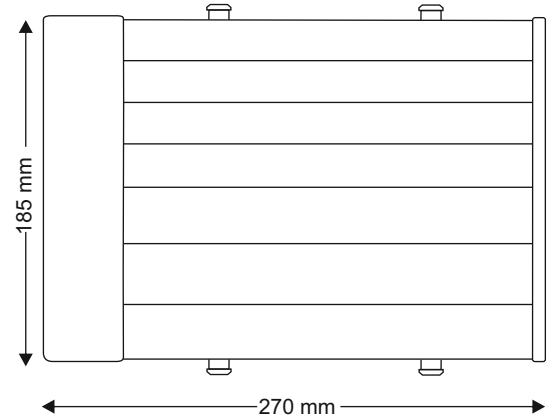
Output level to phone line	Nominally 0 dBm
Input level from phone line	Nominally 0 dBm
Frequency response	300 to 3000 Hz ± 2 dB
Output impedance to phone line	600 ohm
VOX sensitivity	Adjustable internally
VOX hang time	0.5 seconds
Ultimate hybrid balance	-50 dB measured with a single tone
Telephone line connector	RJ-11C
Local telephone set connections	RJ-11C
Connector to transceiver	DB-25
Indicators	"CONNECT" "OPERATOR OVERRIDE" "CONNECT" "DISCONNECT" "OPERATOR OVERRIDE"
Front panel controls	Monitor volume control
Rear panel control	+11 to +15 V DC (12 V DC nominal)
Input power	80 mA @ +12.6 V DC input
Input current	185(w) x 270(d) x 70(h) (2000 series standard enclosure)
Size	0.8 kg
Weight	
Transceiver interface	
Rx audio input	Balanced 600 ohm @ 0 dBm
Tx audio output	Balanced 600 ohm @ 0 dBm
Frequency response	300 to 3200 Hz ± 2 dB
VOX key output	Open collector
Switching speed	5 mS
Environmental	
Operating temperature	-20°C to +55°C
Storage temperature	-40°C to +85°C
Humidity	Up to 95% @ 55°C
Shock	MIL-STD 810G Method 516.6
Vibration	MIL-STD 810G Method 514.6

Specifications are typical. Equipment descriptions and specifications are subject to change without notice or obligation.

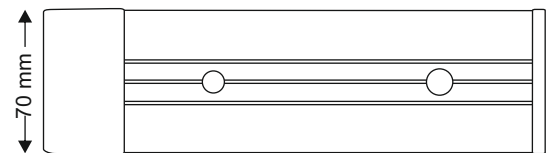
2061 Phone patch front



2061 Phone patch top



2061 Phone patch side



2061 HF Phone patch in base station configuration

BCB20610/14



Head Office:
Barrett Communications Pty Ltd
47 Discovery Drive, Bibra Lake,
WA, 6163 AUSTRALIA
Tel: +61 8 9434 1700
Fax: +61 8 9418 6757
Email: information@barrettcommunications.com.au